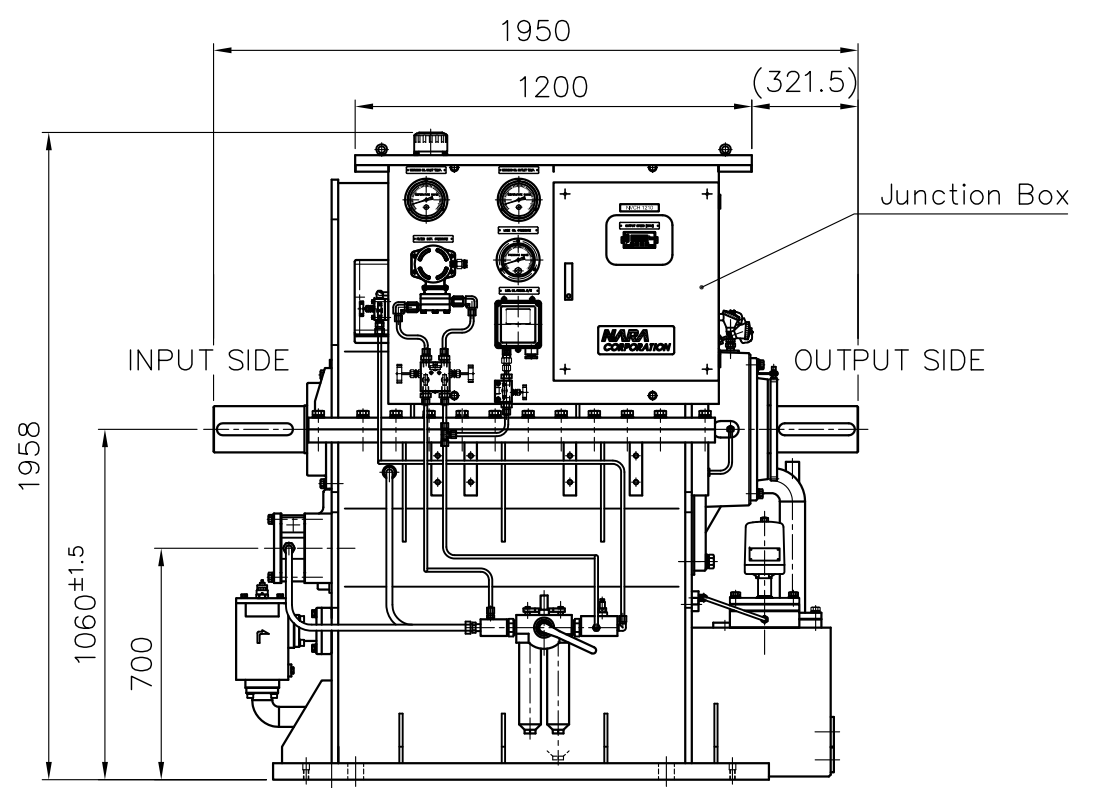
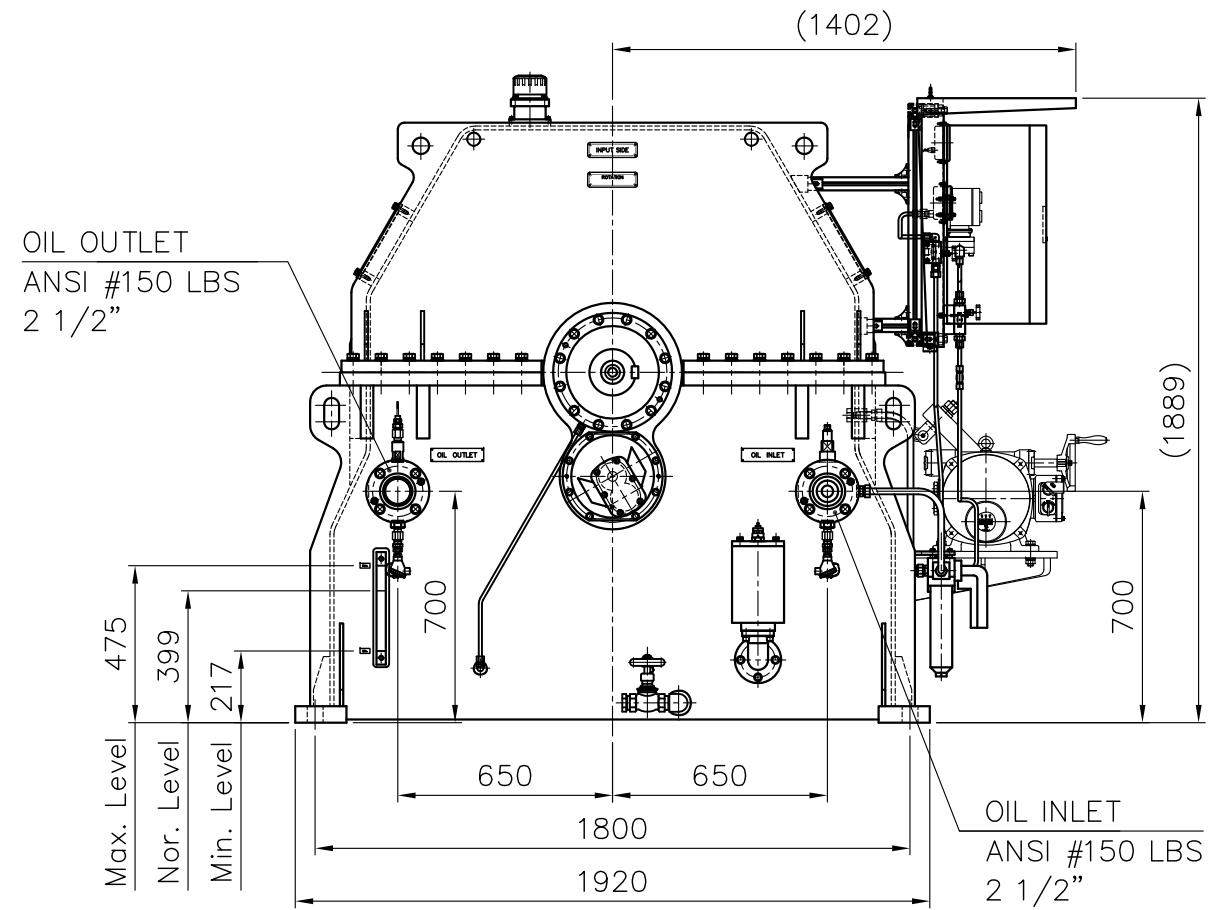
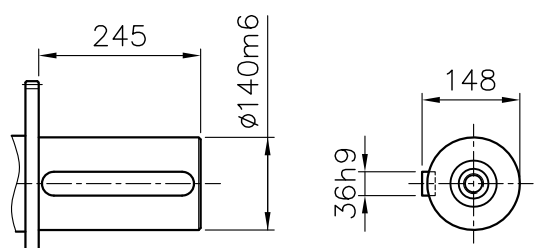
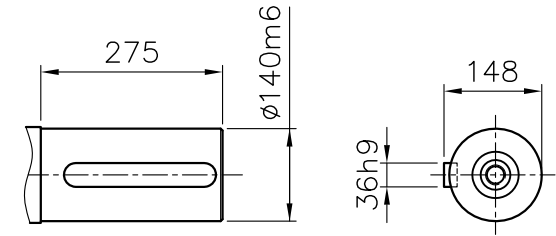
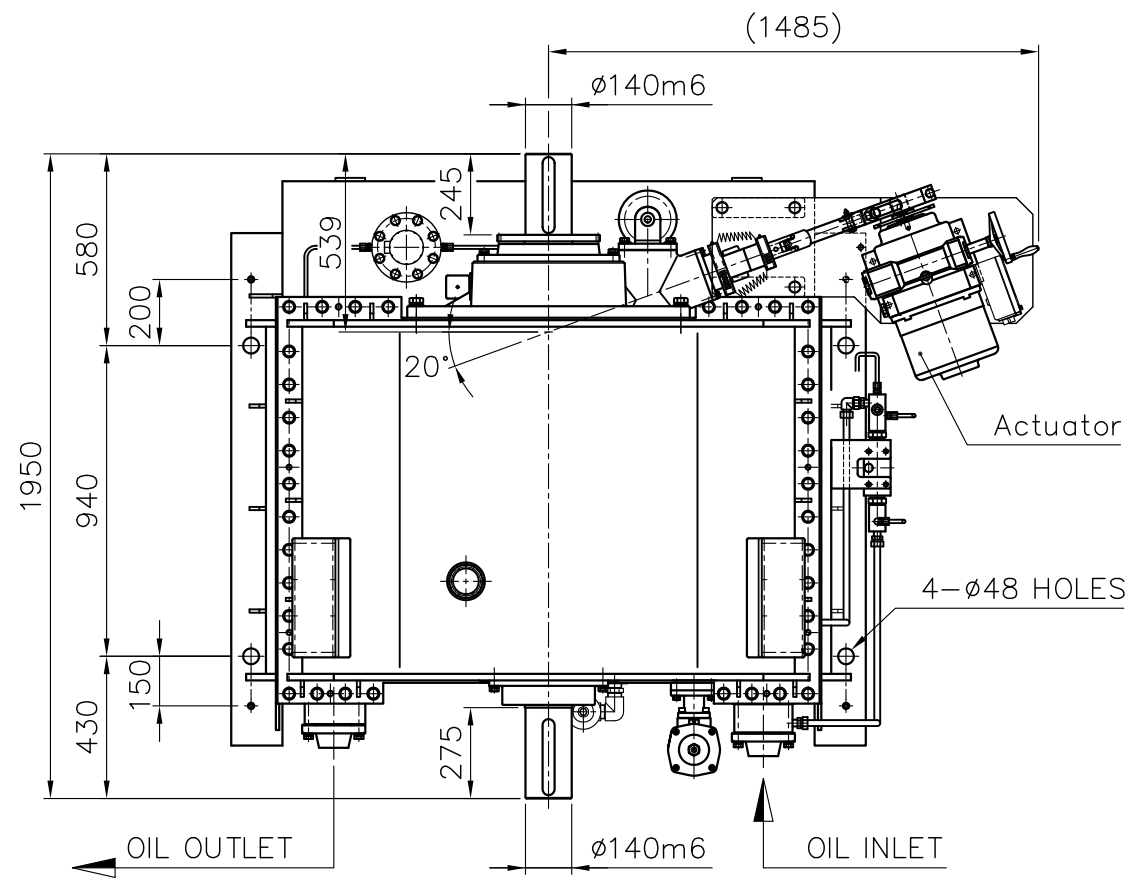


6 5 4 3 2 1

D
C
B
A



A000	OUTLINE DWG.	NVCH 1210	ASS'Y	1	5000	
NO.	DESCRIPTIONS	SIZE	MAT'L	Q'TY	WEIGHT (kgf)	REMARKS
CUSTOMER			STANDARD	SCALE	1 / 23	PROJECTION
TITLE			NVCH 1210	DWG.NO.	VCH1210-A000	REV. NO. 0
			REF.NO.			
DRAWN	CHECKED	APPROVED				
D.H KIM 2021.06.16	O.S PARK 2021.06.16	S.Y KIM 2021.06.16		NARA CORPORATION		

6 5 4 3 2 1